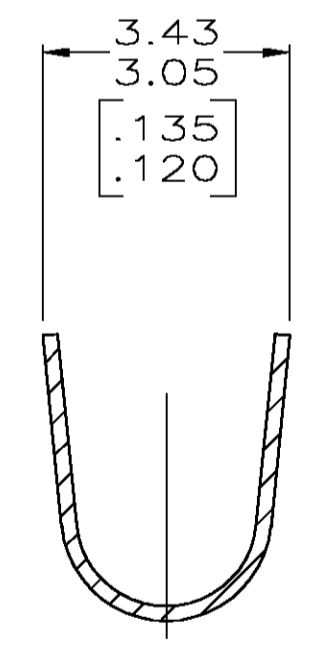
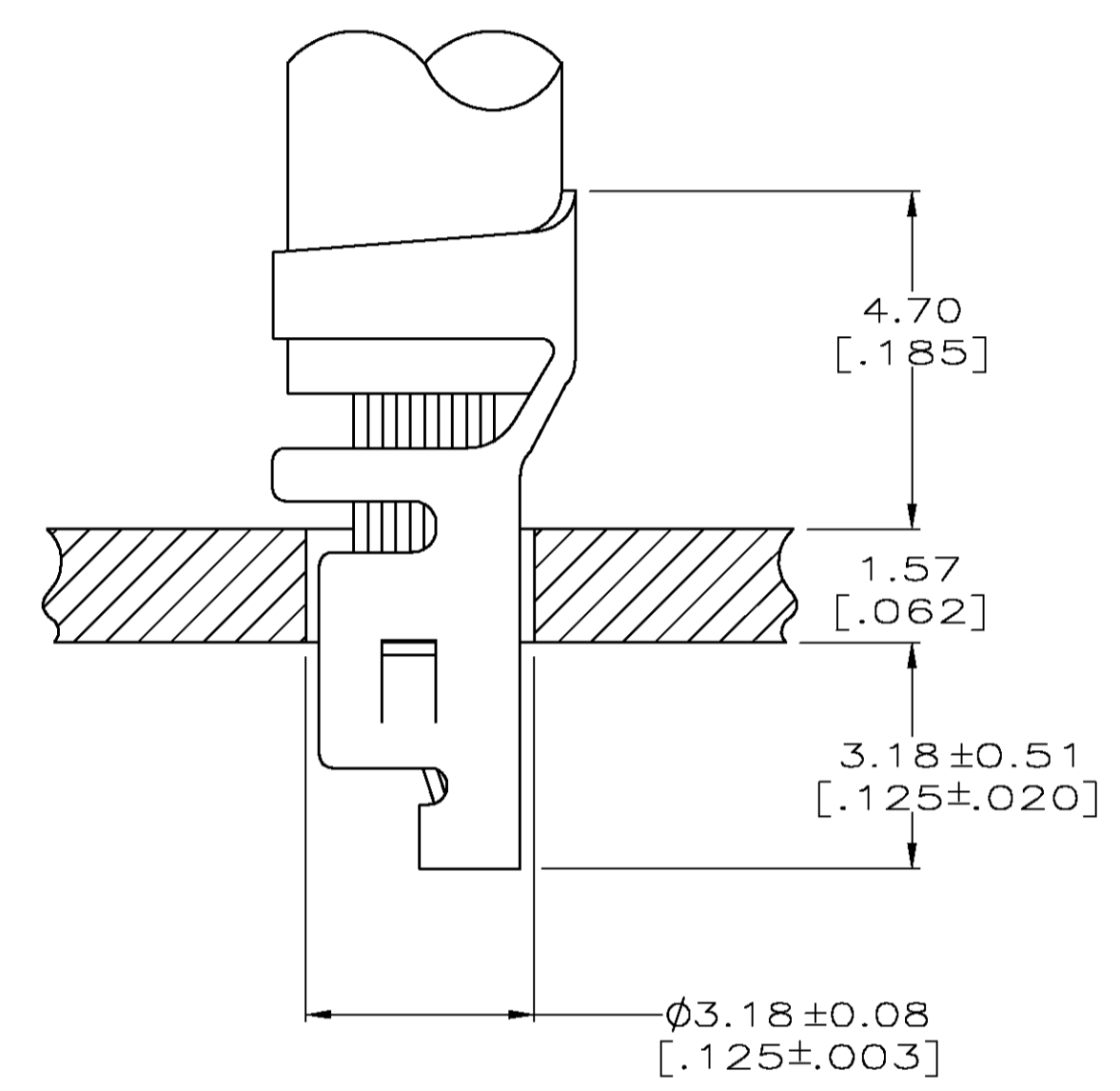
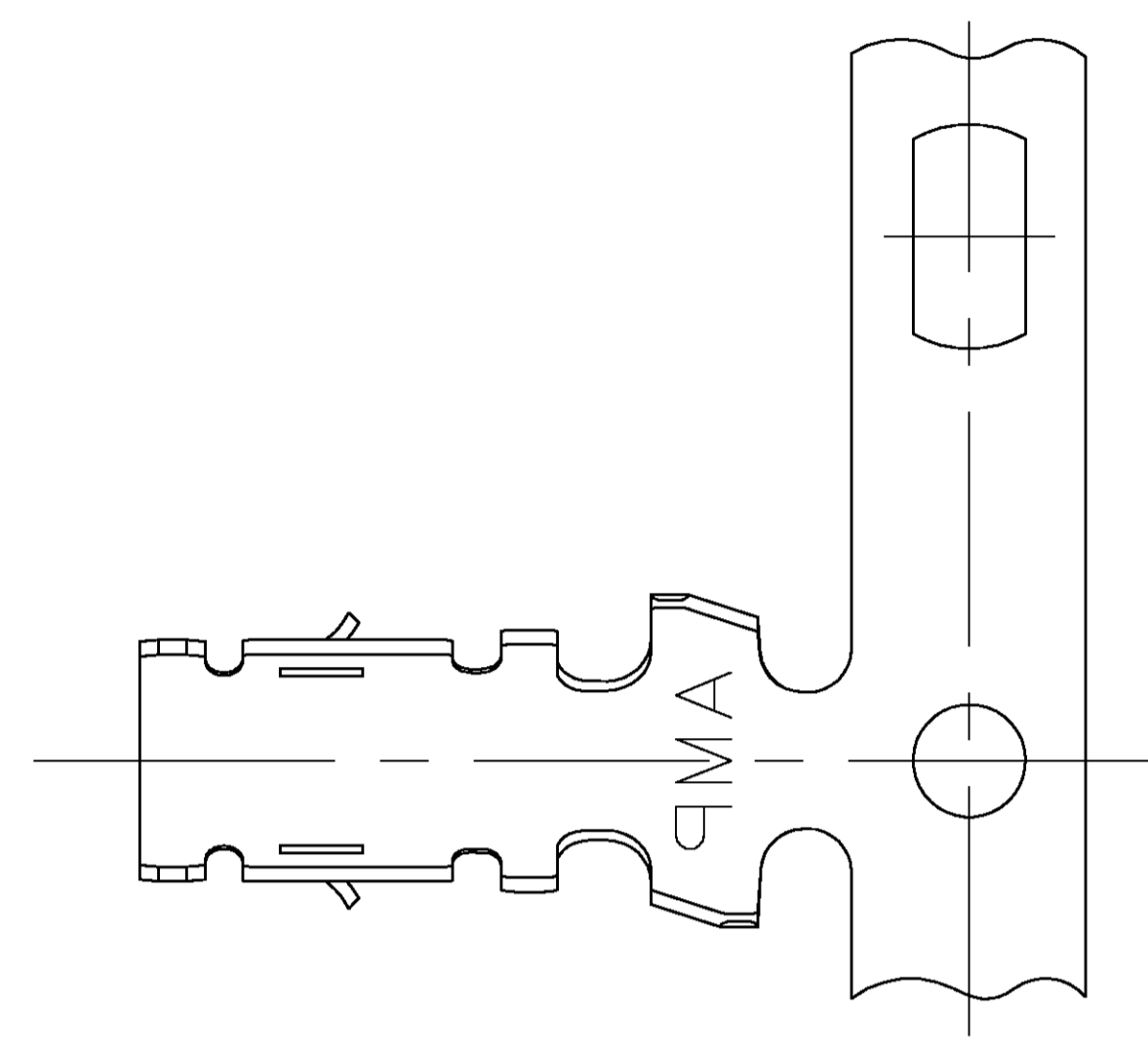
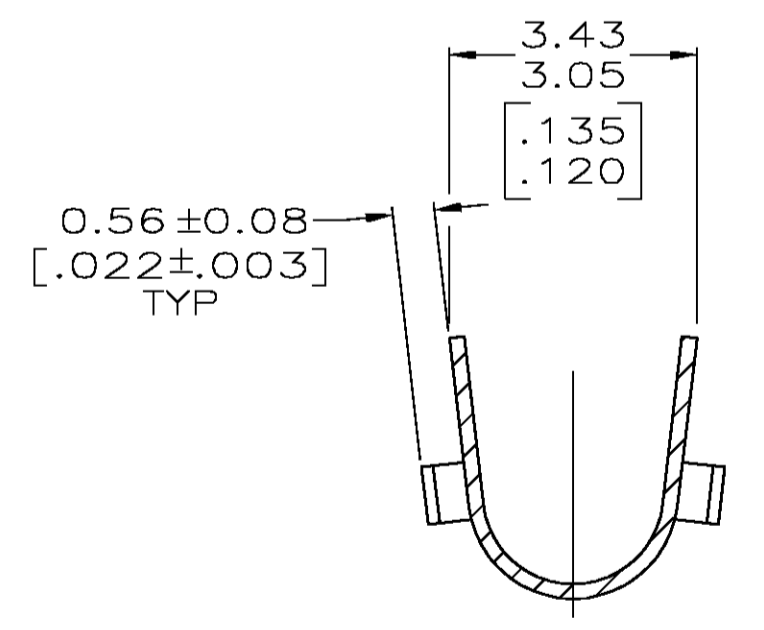


LOC		DIST		REVISIONS			
P	LR	DESCRIPTION	DATE	DRN	APVD		
B		REVISED PER 063B-0900-04	13OCT04	KW	JE		

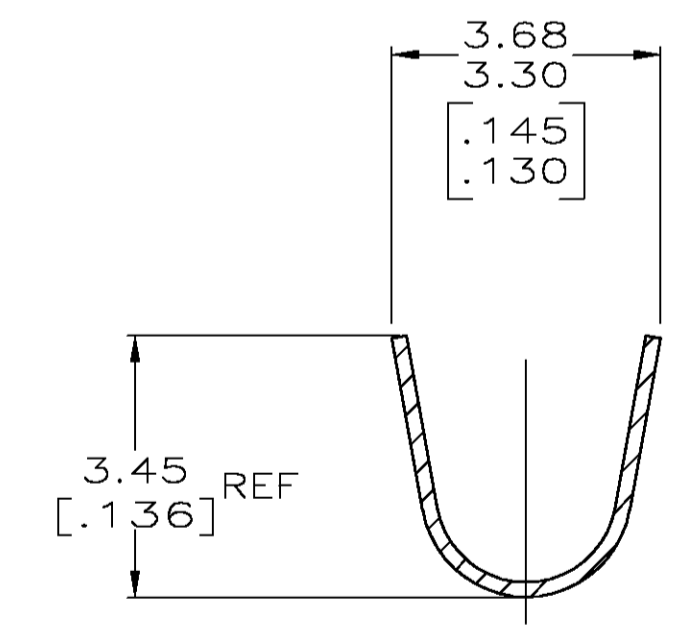
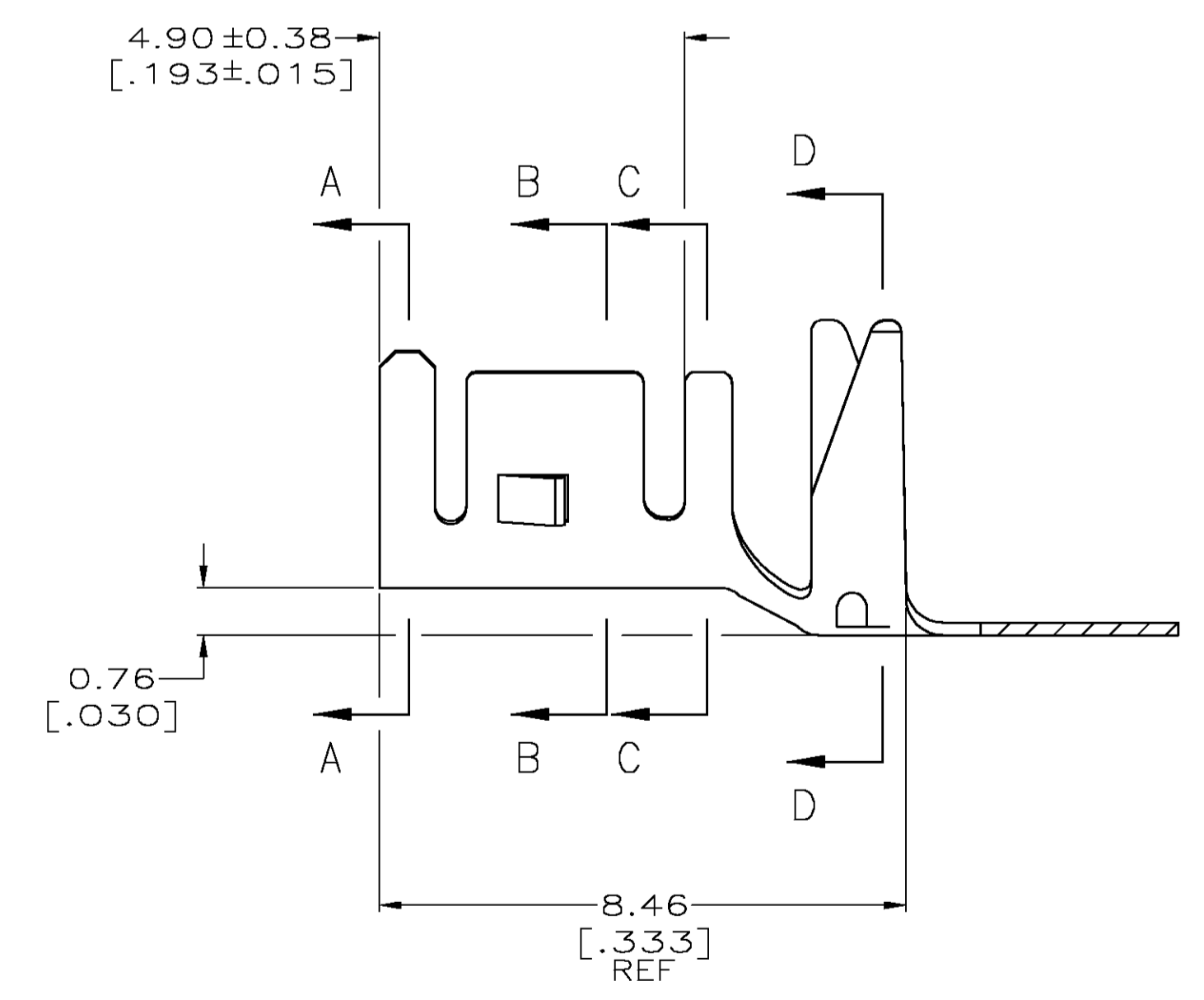
- PARTS MUST COMPLY WITH AMP SOLDERABILITY SPECIFICATION 109-11-3.
- WIRE RANGE: 0.8 - 2.0 mm<sup>2</sup> [18 - 14 AWG].
- INSULATION RANGE: 2.29 - 3.81 [.090 - .150] DIAMETER
- FITS A 1.57 [.062] THICK P.C. BOARD.



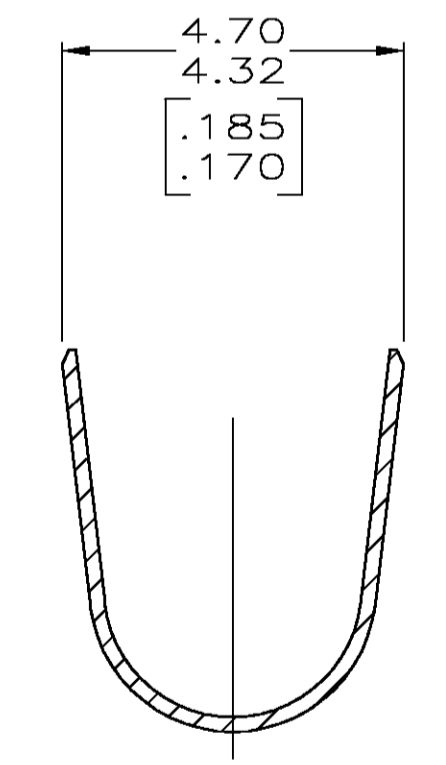
SECTION A-A



SECTION B-B



SECTION C-C



SECTION D-D

YES	0.00508 [.000200] BRIGHT TIN	0.198 [.0078] PH BRZ	3-647334-1
NO	0.00508 [.000200] BRIGHT TIN-LEAD	0.198 [.0078] PH BRZ	647334-1
LEAD FREE	FINISH	MATERIAL	PART NUMBER

**METRIC**

THIS DRAWING IS A CONTROLLED DOCUMENT.

DIMENSIONS: mm	TOLERANCES UNLESS OTHERWISE SPECIFIED:	DWN K. WHITAKER 13OCT2004	Tyco Electronics Corporation Greensboro, NC 27409
0 PLC ± -	1 PLC ± -	CHK J. ELLIS 13OCT2004	
2 PLC ± -	3 PLC ± 0.13 [.005]	APVD J. ELLIS 13OCT2004	NAME
4 PLC ± -	ANGLES ± ± 3°	PRODUCT SPEC	TERMINAL, MINI AMP-IN™ 2000
MATERIAL SEE TABLE	FINISH SEE TABLE	APPLICATION SPEC	SIZE CAGE CODE DRAWING NO
		WEIGHT	A1 00779 C=647334
		CUSTOMER DRAWING	RESTRICTED TO
		SCALE 10:1	SHEET 1 OF 1 REV B